

# Dial Indicating Pressure Gauges

## Brass Case Liquid Filled



# 300 SERIES

- High quality liquid filled gauges designed for durability, accuracy and long life
- Pressure ranges from vacuum through 15,000 psi
- 2-1/2 and 4 inch sizes – bottom or back connected
- Heavy one-piece die casting integrates the case, connection, movement and bourdon tube support into a solid unit to eliminate leakage
- Glycerine fill greatly reduces effects of vibration, pulsation and shock
- Dials are printed with bold UV resistant ink for ease of readability even after years of exposure to direct sunlight
- Stock availability

### OPERATING SPECIFICATIONS

#### 1. Working Pressure Limitations

##### a. Dynamic Pressure

The working pressure should be limited to 60% of the dial range for long service life.

##### b. Static Pressure

The working pressure, where no sharp fluctuations occur, should be limited to 90% of the dial range

#### 2. Ambient Temperature

0°F to 160°F (-18°C to 71°C)

Please contact us for assistance in selecting the best fill for your application.

#### 3. Media Temperature

-4°F to 140°F (-20°C to 60°C)

Optional temperature ratings available from -40°F to 212°F (-40°C to 100°C)

### APPLICATIONS

- Used in demanding applications that are not corrosive to brass, where vibration and pulsation are present

### ACCURACY

- 2-1/2 Inch 300 Series Gauges: ±1.5%
- 4 Inch 300 Series Gauges: ±1.0%

For details on accuracy/standard dial configuration and dial layouts, see pages 74-78

	MODELS	SPECIFICATIONS
<b>Case</b>	25-300, 25-310, 40-300, 40-310	Die cast brass – Natural brass finish
<b>Cover Ring</b>	25-300, 25-310, 40-300, 40-310	Polished brass
<b>Lens</b>	25-300, 25-310, 40-300, 40-310	Molded Plexiglass™ with O-Ring seal
<b>Bourdon Tube</b>	25-300, 25-310, 40-300, 40-310 (up to 600 psi)	Phosphor bronze "C" tube
	25-300, 25-310, 40-300, 40-310 (greater than 600 psi)	Coiled safety tube
<b>Connection</b>	25-300, 25-310	1/4" NPT die cast with the case. 7/16" – 20 SAE adjustable type straight thread with Viton O-Ring is also available as a stock option on many ranges (-4 SAE).
	40-300, 40-310	1/4" NPT die cast with the case. 1/2" NPT is available on certain 40-300 ranges as a stock option, and on all other 40-300 and 40-310's as a non-stock option.
<b>Movement</b>	25-300, 25-310, 40-300, 40-310	Brass and Nickel-Silver with highly polished bearing surfaces
<b>Safety Protection</b>	25-300, 25-310, 40-300, 40-310	Safety relief disc on the top of the case
<b>Accuracy</b>	25-300, 25-310	± 1.5% Full Scale ASME grade A
	40-300, 40-310	± 1% Full Scale ASME grade 1A
<b>Pointer</b>	25-300, 25-310, 40-300, 40-310	Balanced aluminum, black finish
<b>Dial</b>	25-300, 25-310, 40-300, 40-310	Aluminum, white background with black markings. Single scale psi is standard. psi/bar, psi/kPa, or psi/Kg/cm <sup>2</sup> dual scale are available as stock options. On dual scale dials, the outer scale is psi in black and the inner metric scale is red. UV resistant.
<b>Fill Liquid</b>	25-300, 25-310, 40-300, 40-310	Glycerine and water

ORDERING INFORMATION								
<b>SERIES</b>	<b>300</b>							
<b>SIZE</b>	<b>25</b> 2-1/2 Inch	<b>40</b> 4 Inch						
<b>CASE TYPE</b>	<b>300</b> Brass, Bottom Connection	<b>310</b> Brass, Back Connection						
<b>PRESSURE RANGES</b>	<b>30 " Vac</b> -30 inHg to 0	<b>30/300</b> -30 inHg to 0 to 300 psi	<b>300</b> 0 psi to 300 psi	<b>3000</b> 0 psi to 3000 psi	<b>30/15</b> -30 inHg to 0 to 15 psi	<b>15</b> 0 psi to 15 psi	<b>400</b> 0 psi to 400 psi	<b>5000</b> 0 psi to 5000 psi
	<b>30/30</b> -30 inHg to 0 to 30 psi	<b>30</b> 0 psi to 30 psi	<b>600</b> 0 psi to 600 psi	<b>6000</b> 0 psi to 6000 psi	<b>30/60</b> -30 inHg to 0 to 60 psi	<b>60</b> 0 psi to 60 psi	<b>800</b> 0 psi to 800 psi	<b>7500</b> 0 psi to 7500 psi
	<b>30/100</b> -30 inHg to 0 to 100 psi	<b>100</b> 0 psi to 100 psi	<b>1000</b> 0 psi to 1000 psi	<b>10000</b> 0 psi to 10000 psi	<b>30/160</b> -30 inHg to 0 to 160 psi	<b>160</b> 0 psi to 160 psi	<b>1500</b> 0 psi to 1500 psi	<b>15000</b> 0 psi to 15000 psi
	<b>30/200</b> -30 inHg to 0 to 200 psi	<b>200</b> 0 psi to 200 psi	<b>2000</b> 0 psi to 2000 psi					
<b>SCALE OPTION</b>	<b>psi</b> psi single scale	<b>psi/kPa</b> psi/kPa dual scale	<b>psi/kg/cm<sup>2</sup></b> psi/kg/cm <sup>2</sup> dual scale	<b>psi/bar</b> psi/bar dual scale				
<b>CONNECTION SIZE</b>	<b>1/4</b> 1/4" NPT	<b>1/2</b> 1/2" NPT	<b>SST</b> 7/16-20 Adjustable					
<b>OPTIONS</b>	<b>CFF</b> Chrome front flange	<b>CCR</b> Chrome cover ring	<b>SGO</b> Safety Glass overlay	<b>BT3</b> Brass threaded orifice 0.3 mm				
	<b>BFF</b> Brass front flange	<b>CB-U</b> Chrome bezel & u-clamp	<b>AR</b> Adapter ring	<b>BT4</b> Brass threaded orifice 0.4 mm				
	<b>BLFF</b> Black front flange	<b>MIP</b> Maximum indicating pointer	<b>LM</b> Laser marking	<b>BT8</b> Brass threaded orifice 0.8 mm				
	<b>SSRF</b> 304SS rear flange	<b>LL</b> Lexan lens	<b>ST</b> Stainless steel tagging	<b>7/16-20</b> Straight thread available				
	<b>BRF</b> Brass rear flange	<b>GLO</b> Glass lens overlay						

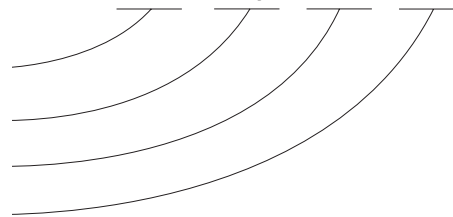
Please consult your local NOSHOK Distributor or NOSHOK, Inc. for availability and delivery information.

NOTE: Refer to 300 Series Options & Accessories chart on page 65 for availability by model number.

**EXAMPLE**

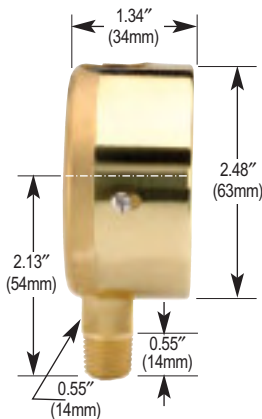
1. Select model number (size & case type)
2. Select pressure range & scale option
3. Select connection size (if more than one is offered)
4. Select any required accessory or option

**40-300 - 3000 psi - 1/2" - BRF**

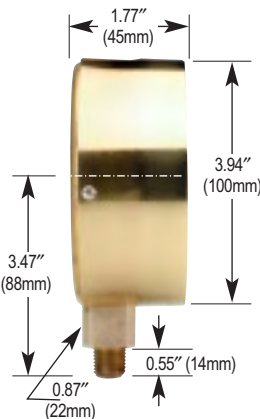


**OUTLINE DIMENSIONS**

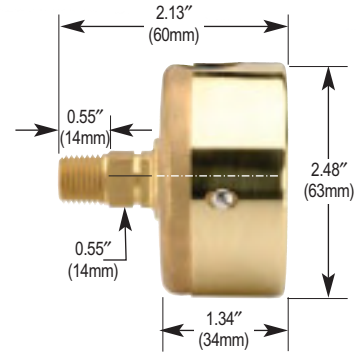
**25-300**



**40-300**



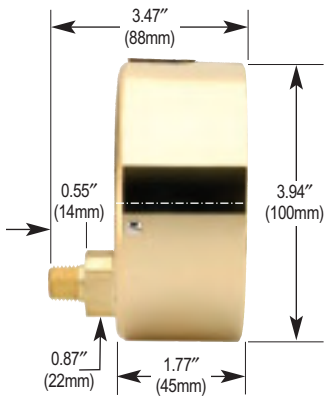
**25-310**



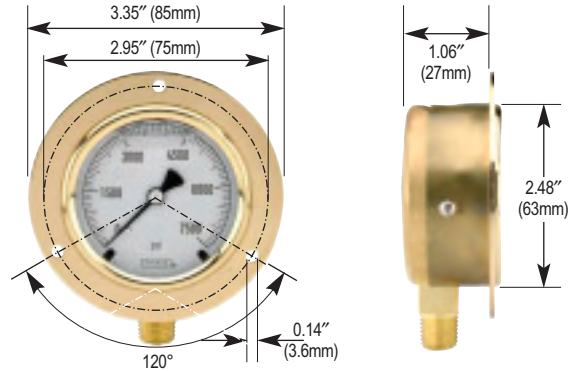
# Dial Indicating Pressure Gauges

## Dimensions

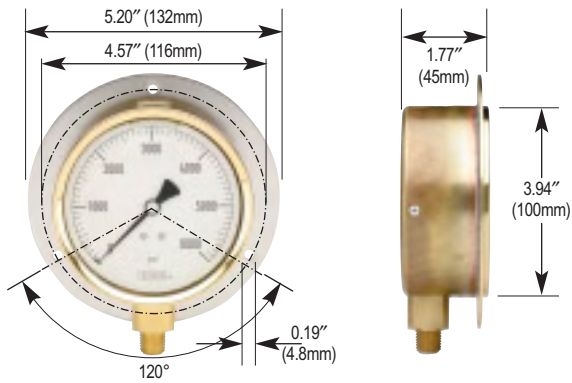
40-310



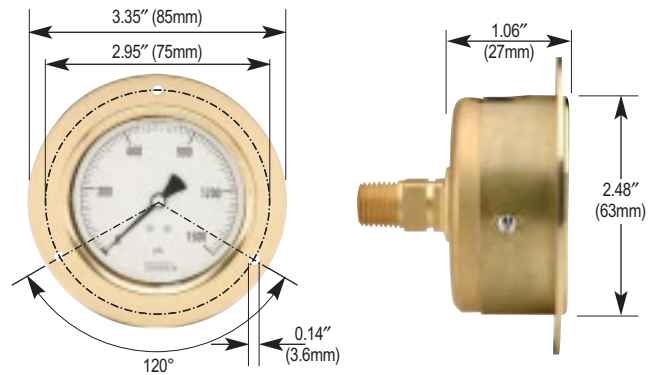
25-300 Front Flange



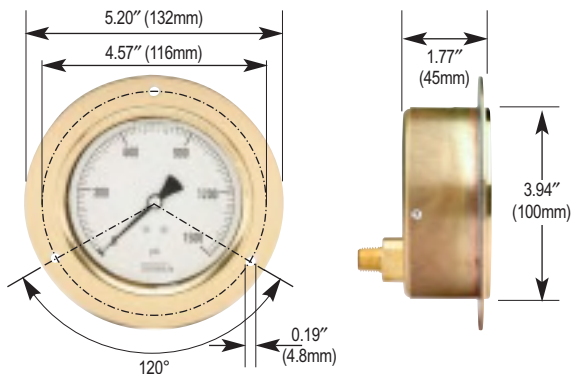
40-300 Front Flange



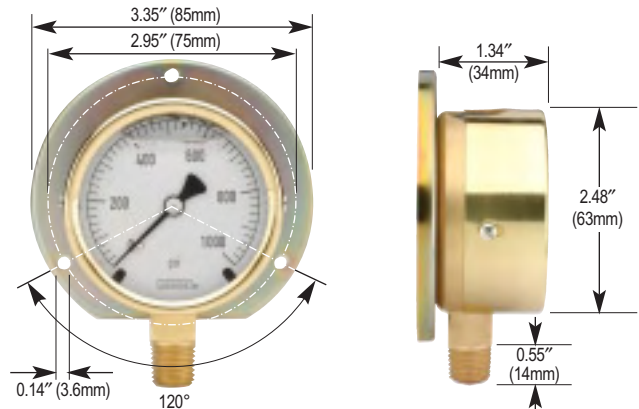
25-310 Front Flange



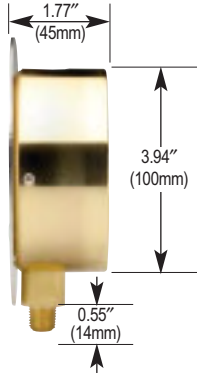
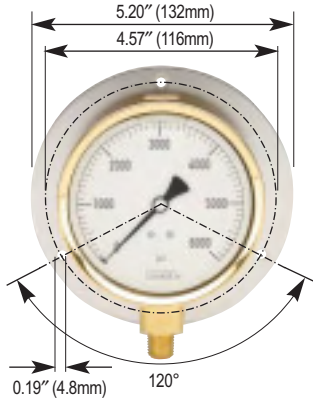
40-310 Front Flange



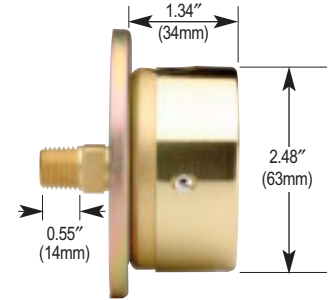
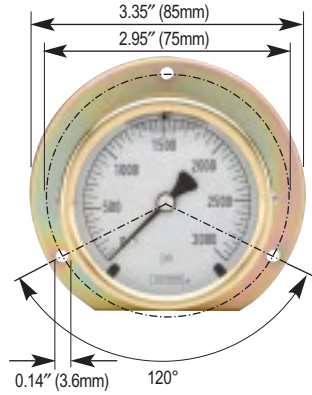
25-300 Rear Flange



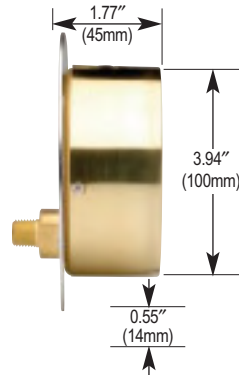
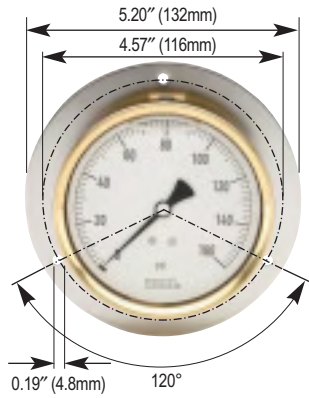
**40-300 Rear Flange**



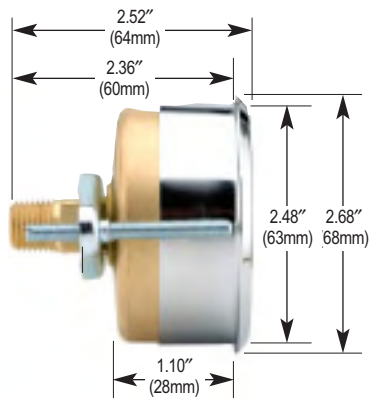
**25-310 Rear Flange**



**40-310 Rear Flange**



**25-310 Chrome Triangular Bezel with U-Clamp**



**40-310 Chrome Triangular Bezel with U-Clamp**

